

## JAF series

Unidirectional single- and double-speed reversible fans



Axial jet fans with fire resistance 200 °C/2 hrs, 300 °C/2 hrs, 400 °C/2 hrs for ventilation of covered parkings. Functionality. Power. Efficiency.

### ■ Application

JAF jet axial fans are designed for general purpose ventilation of underground and semiopened parkings, ventilation of tunnels, smoke extraction in case of fire as a part of smoke extract system.

The fans generate a high-speed and high-pressure directed air jet.

### ■ Modifications

- Unidirectional single-speed type (U)
- Unidirectional double-speed type (U)
- Reversible single-speed (R)
- Reversible double-speed (R)

### ■ Design

JAF casing has a tubular shape and is made of galvanized polymer coated steel.

The fan has a sound insulation of mineral wool.

The casing includes inner brackets for motor fixation. These brackets act as directing vanes and distribute air flow uniformly, thus increasing aerodynamic performances of the fan.

### ■ Motor

Three-phase asynchronous short-circuit rotor motor in the fan casing.

Motor ingress protection rating is IP 54.

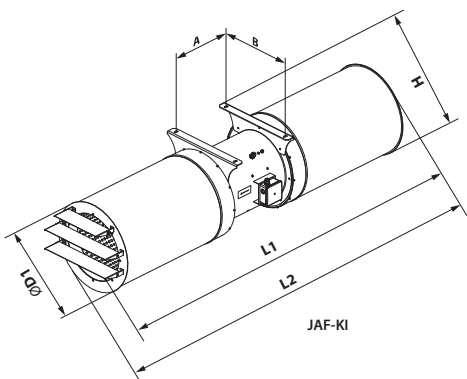
The motor design ensures operation of the fan in the smoke extract systems on unidirectional and reverse modes.

### ■ Impeller

Dynamically balanced impeller made of cast aluminium. The reversible fans are equipped with 100 % reversible two-directional impeller.

### ■ Mounting

JAF fans are designed for horizontal ceiling mounting and fixation by means of the supplied fixing brackets attached to the fan casing.



Model	Dimensions [mm]						
	ØD	ØD1	A	B	H	L1	L2
JAF-K315	382	380	198	313	398	867	1001
JAF-K355	472	430	238	361	499	982	1116
JAF-KI 315	–	414	302	355	425	1654	1763
JAF-KI 355	–	467	302	420	482	1954	2079

Model	Casing type	Casing insulation	Diameter [mm]	High-powered motor	Pole number	Air flow	Fire resistance limit/hrs
<b>JAF</b> (Jet Axial Fan)	<b>K</b> – round <b>V</b> – octagonal etc.	<b>no symbol means</b> no sound insulation <b>I</b> – sound-insulated casing	315 355 400 450 500 560 630	<b>no symbol means</b> the only available standard size <b>M</b> – model with a high-power motor	2 4 2/4 (applicable for double-speed motors)	<b>U</b> – unidirectional <b>R</b> – reversible	<b>no number:</b> max. +55 °C <b>200/2</b> – 200 °C/2 hrs. <b>300/2</b> – 300 °C/2 hrs. <b>400/2</b> – 400 °C/2 hrs.

## Technical data

Model	Max. air capacity [m <sup>3</sup> /h]	Power [kW]	Fan pull [N]	Air speed [m/s]	RPM	Operating temperature [°C]
<b>UNIDIRECTIONAL, SINGLE-SPEED</b>						
JAF-KI-315-2-U	4700	0.75	23	17.3	2800	-25 – +55 °C
JAF-KI-315-2-U-200/2	4580	0.75	23	16.9	2800	200 °C/ 2 h
JAF-KI-315-2-U-300/2	4500	0.75	23	16.6	2800	300 °C/ 2 h
JAF-KI-315-2-U-400/2	4470	0.75	23	16.5	2800	400 °C/ 2 h
JAF-KI-355-2-U	7000	1.1	44	18.9	2800	-25 – +55 °C
JAF-KI-355-2-U-200/2	6920	1.1	44	18.7	2800	200 °C/ 2 h
JAF-KI-355-2-U-300/2	6880	1.1	44	18.6	2800	300 °C/ 2 h
JAF-KI-355-2-U-400/2	6850	1.1	44	18.5	2800	400 °C/ 2 h
JAF-KI-400-2-U	7500	1.1	52	15.6	2800	-25 – +55 °C
JAF-KI-400-2-U-200/2	7460	1.1	52	15.5	2800	200 °C/ 2 h
JAF-KI-400-2-U-300/2	7400	1.1	52	15.4	2800	300 °C/ 2 h
JAF-KI-400-2-U-400/2	7330	1.1	52	15.3	2800	400 °C/ 2 h
<b>UNIDIRECTIONAL, DOUBLE-SPEED</b>						
JAF-KI-315-2/4-U	4700 / 2100	0.75 / 0.25	23 / 6	17.3 / 7.7	2800 / 1400	-25 – +55 °C
JAF-KI-315-2/4-U-200/2	4580 / 2040	0.75 / 0.25	23 / 6	16.9 / 7.5	2800 / 1400	200 °C/ 2 h
JAF-KI-315-2/4-U-300/2	4500 / 2010	0.75 / 0.25	23 / 6	16.6 / 7.4	2800 / 1400	300 °C/ 2 h
JAF-KI-315-2/4-U-400/2	4470 / 1970	0.75 / 0.25	23 / 6	16.5 / 7.3	2800 / 1400	400 °C/ 2 h
JAF-KI-355-2/4-U	7000 / 3400	1.1 / 0.25	44 / 9	18.9 / 9.2	2800 / 1400	-25 – +55 °C
JAF-KI-355-2/4-U-200/2	6920 / 3360	1.1 / 0.25	44 / 9	18.7 / 9.1	2800 / 1400	200 °C/ 2 h
JAF-KI-355-2/4-U-300/2	6880 / 3300	1.1 / 0.25	44 / 9	18.6 / 8.9	2800 / 1400	300 °C/ 2 h
JAF-KI-355-2/4-U-400/2	6850 / 3240	1.1 / 0.25	44 / 9	18.5 / 8.7	2800 / 1400	400 °C/ 2 h
JAF-KI-355M-2/4-U	7500 / 3750	1.5 / 0.37	55 / 14	20.2 / 10.1	3000 / 1500	-25 – +55 °C
JAF-KI-355M-2/4-U-200/2	7440 / 3700	1.5 / 0.37	55 / 14	20.1 / 10	3000 / 1500	200 °C/ 2 h
JAF-KI-355M-2/4-U-300/2	7400 / 3650	1.5 / 0.37	55 / 14	20 / 9.9	3000 / 1500	300 °C/ 2 h
JAF-KI-355M-2/4-U-400/2	7350 / 3610	1.5 / 0.37	55 / 14	19.8 / 9.7	3000 / 1500	400 °C/ 2 h
JAF-KI-400-2/4-U	7500 / 3950	1.1 / 0.25	52 / 13	15.6 / 8.2	2800 / 1400	-25 – +55 °C
JAF-KI-400-2/4-U-200/2	7460 / 3930	1.1 / 0.25	52 / 13	15.5 / 8.2	2800 / 1400	200 °C/ 2 h
JAF-KI-400-2/4-U-300/2	7400 / 3910	1.1 / 0.25	52 / 13	15.4 / 8.1	2800 / 1400	300 °C/ 2 h
JAF-KI-400-2/4-U-400/2	7330 / 3880	1.1 / 0.25	52 / 13	15.3 / 8.1	2800 / 1400	400 °C/ 2 h
JAF-KI-400M-2/4-U	10300 / 5000	2.2 / 0.55	65 / 17	21.5 / 10.4	2800 / 1400	-25 – +55 °C
JAF-KI-400M-2/4-U-200/2	10200 / 4860	2.2 / 0.55	65 / 17	21.3 / 10.1	2800 / 1400	200 °C/ 2 h
JAF-KI-400M-2/4-U-300/2	10100 / 4790	2.2 / 0.55	65 / 17	21 / 10	2800 / 1400	300 °C/ 2 h
JAF-KI-400M-2/4-U-400/2	10000 / 4730	2.2 / 0.55	65 / 17	20.8 / 9.9	2800 / 1400	400 °C/ 2 h
JAF-KI-450-2/4-U	10500 / 5300	1.5 / 0.37	63 / 16	17.4 / 8.8	2800 / 1400	-25 – +55 °C
JAF-KI-450-2/4-U-200/2	10400 / 5260	1.5 / 0.37	63 / 16	17.2 / 8.7	2800 / 1400	200 °C/ 2 h
JAF-KI-450-2/4-U-300/2	10300 / 5200	1.5 / 0.37	63 / 16	17.1 / 8.6	2800 / 1400	300 °C/ 2 h
JAF-KI-450-2/4-U-400/2	10200 / 5160	1.5 / 0.37	63 / 16	16.9 / 8.6	2800 / 1400	400 °C/ 2 h
JAF-KI-450M-2/4-U	13800 / 6800	2.2 / 0.55	95 / 24	22.9 / 11.3	2800 / 1400	-25 – +55 °C
JAF-KI-450M-2/4-U-200/2	13700 / 6700	2.2 / 0.55	95 / 24	22.7 / 11.1	2800 / 1400	200 °C/ 2 h
JAF-KI-450M-2/4-U-300/2	13600 / 6600	2.2 / 0.55	95 / 24	22.5 / 10.9	2800 / 1400	300 °C/ 2 h
JAF-KI-450M-2/4-U-400/2	13550 / 6550	2.2 / 0.55	95 / 24	22.5 / 10.9	2800 / 1400	400 °C/ 2 h
JAF-KI-500-2/4-U	19600 / 9650	5.5 / 1.1	161 / 40	26.1 / 12.9	2800 / 1400	-25 – +55 °C
JAF-KI-500-2/4-U-200/2	19500 / 9580	5.5 / 1.1	161 / 40	26 / 12.8	2800 / 1400	200 °C/ 2 h
JAF-KI-500-2/4-U-300/2	19400 / 9500	5.5 / 1.1	161 / 40	25.9 / 12.7	2800 / 1400	300 °C/ 2 h
JAF-KI-500-2/4-U-400/2	19300 / 9410	5.5 / 1.1	161 / 40	25.7 / 12.5	2800 / 1400	400 °C/ 2 h
<b>REVERSIBLE, SINGLE-SPEED</b>						
JAF-KI-315-2-R	4400	0.75	22	16.2	2800	-25 – +55 °C
JAF-KI-315-2-R-200/2	4350	0.75	22	16	2800	200 °C/ 2 h
JAF-KI-315-2-R-300/2	4300	0.75	22	15.8	2800	300 °C/ 2 h

## JET AXIAL FANS

Model	Max. air capacity [m³/h]	Power [kW]	Fan pull [N]	Air speed [m/s]	RPM	Operating temperature [°C]
JAF-KI-315-2-R-400/2	4250	0.75	22	15.6	2800	400 °C/ 2 h
JAF-KI-355-2-R	5710	1.1	35	15.4	3000	-25 – +55 °C
JAF-KI-355-2-R-200/2	5670	1.1	35	15.3	3000	200 °C/ 2 h
JAF-KI-355-2-R-300/2	5620	1.1	35	15.2	3000	300 °C/ 2 h
JAF-KI-355-2-R-400/2	5560	1.1	35	15.1	3000	400 °C/ 2 h
JAF-KI-400-2-R	8750	1.5	57	18.2	2800	-25 – +55 °C
JAF-KI-400-2-R-200/2	8690	1.5	57	18.1	2800	200 °C/ 2 h
JAF-KI-400-2-R-300/2	8640	1.5	57	18	2800	300 °C/ 2 h
JAF-KI-400-2-R-400/2	8570	1.5	57	17.9	2800	400 °C/ 2 h
JAF-KI-450-2-R	11600	2.2	80	19.2	2800	-25 – +55 °C
JAF-KI-450-2-R-200/2	11500	2.2	80	19.1	2800	200 °C/ 2 h
JAF-KI-450-2-R-300/2	11450	2.2	80	19	2800	300 °C/ 2 h
JAF-KI-450-2-R-400/2	11400	2.2	80	18.9	2800	400 °C/ 2 h
JAF-KI-500-2-R	16700	4	125	22.3	3000	-25 – +55 °C
JAF-KI-500-2-R-200/2	16600	4	125	22.1	3000	200 °C/ 2 h
JAF-KI-500-2-R-300/2	16550	4	125	22.1	3000	300 °C/ 2 h
JAF-KI-500-2-R-400/2	16500	4	125	22	3000	400 °C/ 2 h
JAF-KI-560-2-R	20000	7.5	180	22.2	2800	-25 – +55 °C
JAF-KI-560-2-R-200/2	19900	7.5	180	22	2800	200 °C/ 2 h
JAF-KI-560-2-R-300/2	19850	7.5	180	22	2800	300 °C/ 2 h
JAF-KI-560-2-R-400/2	19800	7.5	180	21.9	2800	400 °C/ 2 h
JAF-KI-630-2-R	30000	15	320	25.5	2800	-25 – +55 °C
JAF-KI-630-2-R-200/2	29900	15	320	25.4	2800	200 °C/ 2 h
JAF-KI-630-2-R-300/2	29800	15	320	25.3	2800	300 °C/ 2 h
JAF-KI-630-2-R-400/2	29700	15	320	25.2	2800	400 °C/ 2 h
<b>REVERSIBLE, TWO-SPEED</b>						
JAF-KI-315-2/4-R	4450 / 2250	0.75 / 0.25	23 / 6	16.4 / 8.3	2800 / 1400	-25 – +55 °C
JAF-KI-315-2/4-R-200/2	4410 / 2210	0.75 / 0.25	23 / 6	16 / 7.9	2800 / 1400	200 °C/ 2 h
JAF-KI-315-2/4-R-300/2	4360 / 2160	0.75 / 0.25	23 / 6	16 / 7.9	2800 / 1400	300 °C/ 2 h
JAF-KI-315-2/4-R-400/2	4310 / 2120	0.75 / 0.25	23 / 6	15.9 / 7.8	2800 / 1400	400 °C/ 2 h
JAF-KI-355-2/4-R	5710 / 2840	1.1 / 0.25	35 / 8	15.4 / 7.7	3000 / 1500	-25 – +55 °C
JAF-KI-355-2/4-R-200/2	5670 / 2790	1.1 / 0.25	35 / 8	15.3 / 7.5	3000 / 1500	200 °C/ 2 h
JAF-KI-355-2/4-R-300/2	5600 / 2750	1.1 / 0.25	35 / 8	15.1 / 7.4	3000 / 1500	300 °C/ 2 h
JAF-KI-355-2/4-R-400/2	5560 / 2710	1.1 / 0.25	35 / 8	15 / 7.3	3000 / 1500	400 °C/ 2 h
JAF-KI-355M-2/4-R	6850 / 3260	1.5 / 0.37	45 / 11	18.5 / 8.8	2800 / 1400	-25 – +55 °C
JAF-KI-355M-2/4-R-200/2	6810 / 3220	1.5 / 0.37	45 / 11	18.4 / 8.7	2800 / 1400	200 °C/ 2 h
JAF-KI-355M-2/4-R-300/2	6760 / 3180	1.5 / 0.37	45 / 11	18.2 / 8.6	2800 / 1400	300 °C/ 2 h
JAF-KI-355M-2/4-R-400/2	6710 / 3140	1.5 / 0.37	45 / 11	18.1 / 8.5	2800 / 1400	400 °C/ 2 h
JAF-KI-400-2/4-R	8750 / 4300	1.5 / 0.37	57 / 14	18.2 / 9	2800 / 1400	-25 – +55 °C
JAF-KI-400-2/4-R-200/2	8690 / 4240	1.5 / 0.37	57 / 14	18.1 / 8.8	2800 / 1400	200 °C/ 2 h
JAF-KI-400-2/4-R-300/2	8640 / 4200	1.5 / 0.37	57 / 14	18 / 8.8	2800 / 1400	300 °C/ 2 h
JAF-KI-400-2/4-R-400/2	8600 / 4170	1.5 / 0.37	57 / 14	17.9 / 8.7	2800 / 1400	400 °C/ 2 h
JAF-KI-400M-2/4-R	9400 / 4540	2.2 / 0.55	65 / 16	19.6 / 9.5	2800 / 1400	-25 – +55 °C
JAF-KI-400M-2/4-R-200/2	9360 / 4490	2.2 / 0.55	65 / 16	19.5 / 9.4	2800 / 1400	200 °C/ 2 h
JAF-KI-400M-2/4-R-300/2	9320 / 4460	2.2 / 0.55	65 / 16	19.4 / 9.3	2800 / 1400	300 °C/ 2 h
JAF-KI-400M-2/4-R-400/2	9280 / 4410	2.2 / 0.55	65 / 16	19.3 / 9.2	2800 / 1400	400 °C/ 2 h
JAF-KI-450-2/4-R	10400 / 5200	1.5 / 0.37	55 / 15	17.2 / 8.6	2800 / 1400	-25 – +55 °C
JAF-KI-450-2/4-R-200/2	10350 / 5160	1.5 / 0.37	55 / 15	17.1 / 8.6	2800 / 1400	200 °C/ 2 h
JAF-KI-450-2/4-R-300/2	10300 / 5120	1.5 / 0.37	55 / 15	17.1 / 8.5	2800 / 1400	300 °C/ 2 h
JAF-KI-450-2/4-R-400/2	10250 / 5080	1.5 / 0.37	55 / 15	17 / 8.4	2800 / 1400	400 °C/ 2 h
JAF-KI-450M-2/4-R	11600 / 5700	2.2 / 0.55	80 / 19	19.2 / 9.4	2800 / 1400	-25 – +55 °C

Model	Max. air capacity [m <sup>3</sup> /h]	Power [kW]	Fan pull [N]	Air speed [m/s]	RPM	Operating temperature [°C]
JAF-KI-450M-2/4-R-200/2	11500 / 5630	2.2 / 0.55	80 / 19	19.1 / 9.3	2800 / 1400	200 °C/ 2 h
JAF-KI-450M-2/4-R-300/2	11450 / 5600	2.2 / 0.55	80 / 19	19 / 9.3	2800 / 1400	300 °C/ 2 h
JAF-KI-450M-2/4-R-400/2	11400 / 5570	2.2 / 0.55	80 / 19	18.9 / 9.2	2800 / 1400	400 °C/ 2 h
JAF-KI-500-2/4-R	16700 / 7710	4 / 1.1	125 / 45	22.3 / 10.3	3000 / 1400	-25 – +55 °C
JAF-KI-500-2/4-R-200/2	16600 / 7620	4 / 1.1	125 / 45	22.1 / 10.2	3000 / 1400	200 °C/ 2 h
JAF-KI-500-2/4-R-300/2	16500 / 7580	4 / 1.1	125 / 45	22 / 10.1	3000 / 1400	300 °C/ 2 h
JAF-KI-500-2/4-R-400/2	16400 / 7530	4 / 1.1	125 / 45	21.9 / 10	3000 / 1400	400 °C/ 2 h
JAF-KI-560-2/4-R	20000 / 9600	7.5 / 2.2	180 / 67	22.2 / 10.6	2800 / 1400	-25 – +55 °C
JAF-KI-560-2/4-R-200/2	19900 / 9560	7.5 / 2.2	180 / 67	22 / 10.6	2800 / 1400	200 °C/ 2 h
JAF-KI-560-2/4-R-300/2	19800 / 9500	7.5 / 2.2	180 / 67	21.9 / 10.5	2800 / 1400	300 °C/ 2 h
JAF-KI-560-2/4-R-400/2	19700 / 9460	7.5 / 2.2	180 / 67	21.8 / 10.5	2800 / 1400	400 °C/ 2 h
JAF-KI-630-2/4-R	30000 / 14300	15 / 3	320 / 95	25.5 / 12.2	2800 / 1400	-25 – +55 °C
JAF-KI-630-2/4-R-200/2	29900 / 14200	15 / 3	320 / 95	25.4 / 12.1	2800 / 1400	200 °C/ 2 h
JAF-KI-630-2/4-R-300/2	29800 / 14100	15 / 3	320 / 95	25.3 / 12	2800 / 1400	300 °C/ 2 h
JAF-KI-630-2/4-R-400/2	29700 / 14000	15 / 3	320 / 95	25.2 / 11.9	2800 / 1400	400 °C/ 2 h